

**Feature -**

- encoder : 15 pulse scroller output, and one key center output
- VR : 15 position scroller output, and one key center output
- bi-color LED illuminated available

**Application -**

- audio / video equipments
- consumer products
- computer products
- instrumentation
- communication equipments
- home appliances

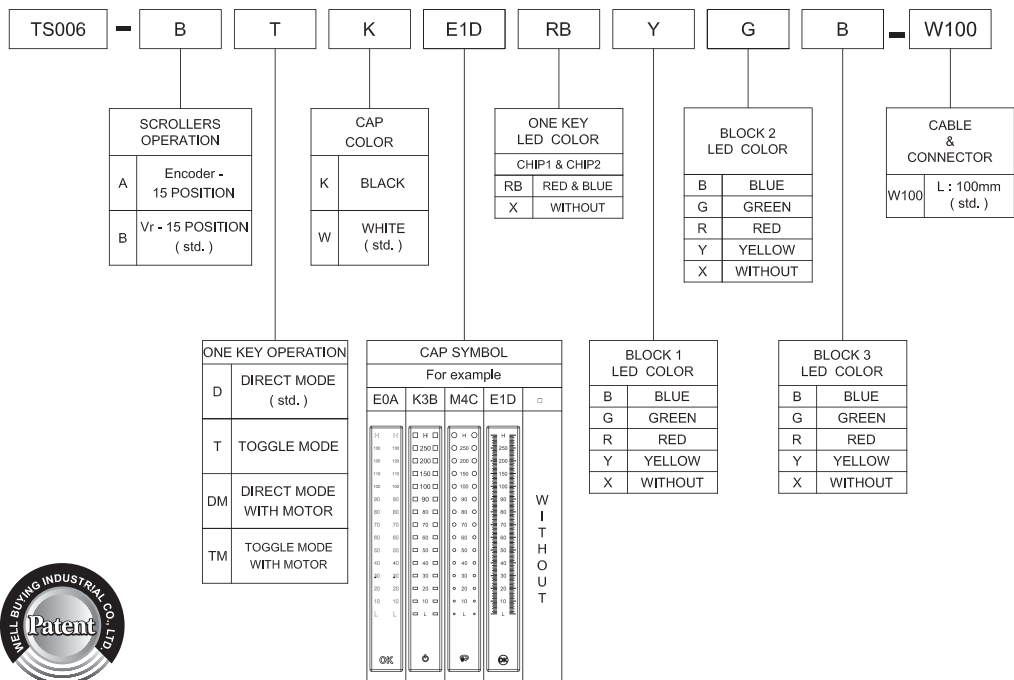
► **SPECIFICATIONS**

SWITCH SPECIFICATIONS							
POLE - POSITION		One-Channel					
CIRCUIT FEATURE		Capacitive analog signal					
OPERATING TEMPERATURE RANGE		-20°C ~ 70°C					
SEALING		PANEL SEALED TO IP67					
ELECTRICAL CHARACTERISTICS							
Symbol	Parameter	Test Conditions		MIN.	TYP.	MAX.	Units
		V <sub>DD</sub>	Conditions				
V <sub>CC</sub>	Input Voltage	-	-	0	-	28	V
V <sub>DD</sub>	Operating Voltage	-	-	2.8	5.0	5.5	V
I <sub>DD</sub>	Operating Voltage - No Load	3.3V	3.3V	-	2	3	mA
V <sub>OH</sub>	Output High Voltage	3.3V	I <sub>OH</sub> = - 4.0mA	2.1	-	-	V
V <sub>OL</sub>	Output Low Voltage	3.3V	I <sub>OH</sub> = 8.0mA	-	-	0.9	V
V <sub>IL</sub>	Input ports	3.3V	-	-	200	-	Hz

LED SPECIFICATIONS						
ATTENTION (+)○—○(-) LEDs are Electrostatic Sensitive devices	Unit	Value / LED Color				
		Ultra Blue	Ultra Green	Ultra Red	Ultra Yellow	
FORWARD CURRENT	I <sub>f</sub>	mA	20	20	20	20
REVERSE VOLTAGE	V <sub>r</sub>	V	5	5	5	5
REVERSE CURRENT	I <sub>r</sub>	μA	10	10	10	10
FORWARD VOLTAGE@20mA	V <sub>f</sub>	V	3.7~4.0	3.5~4.0	2.0~2.6	2.1~2.6
LUMINOUS INTENSITY@20mA	I <sub>v</sub>	mcd	150	1000	800	350

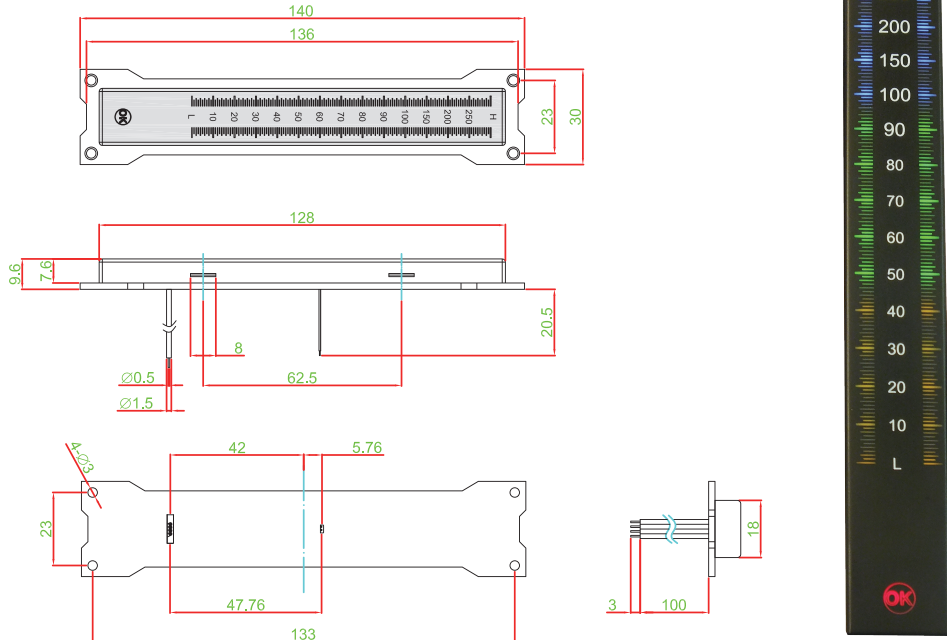
■ Physical and electrical information of LED will be provided upon customer's request on switches.

► **HOW TO ORDER**

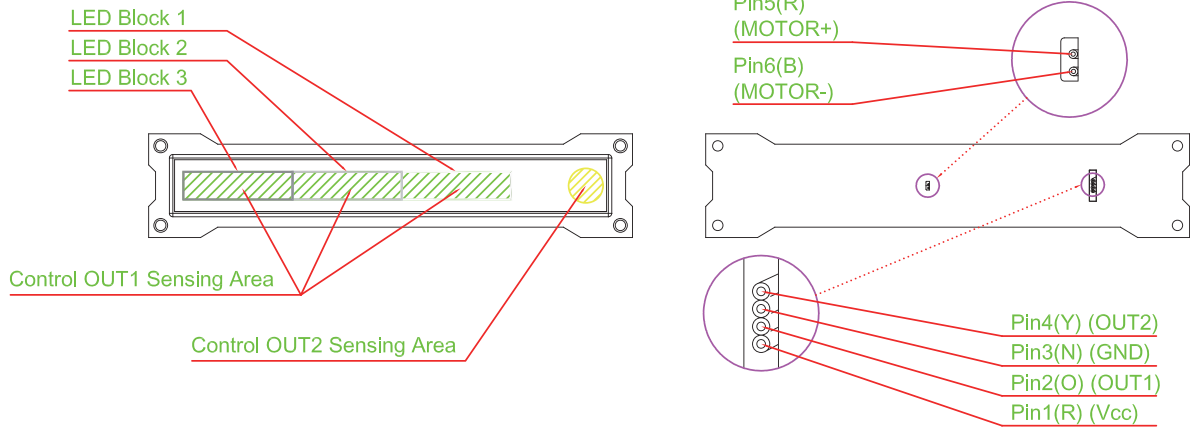


▶ DIMENSION & FRAME TYPE

TS006-BTMKE1DRBYGB-W100



▶ CIRCUIT



▶ MATERIAL

- COVER : PC
- HOUSING : PA
- BASE FRAME : PA + GF
- P.C.B : FR4

▶ PANEL CUT OUT & CIRCUIT DIAGRAM

